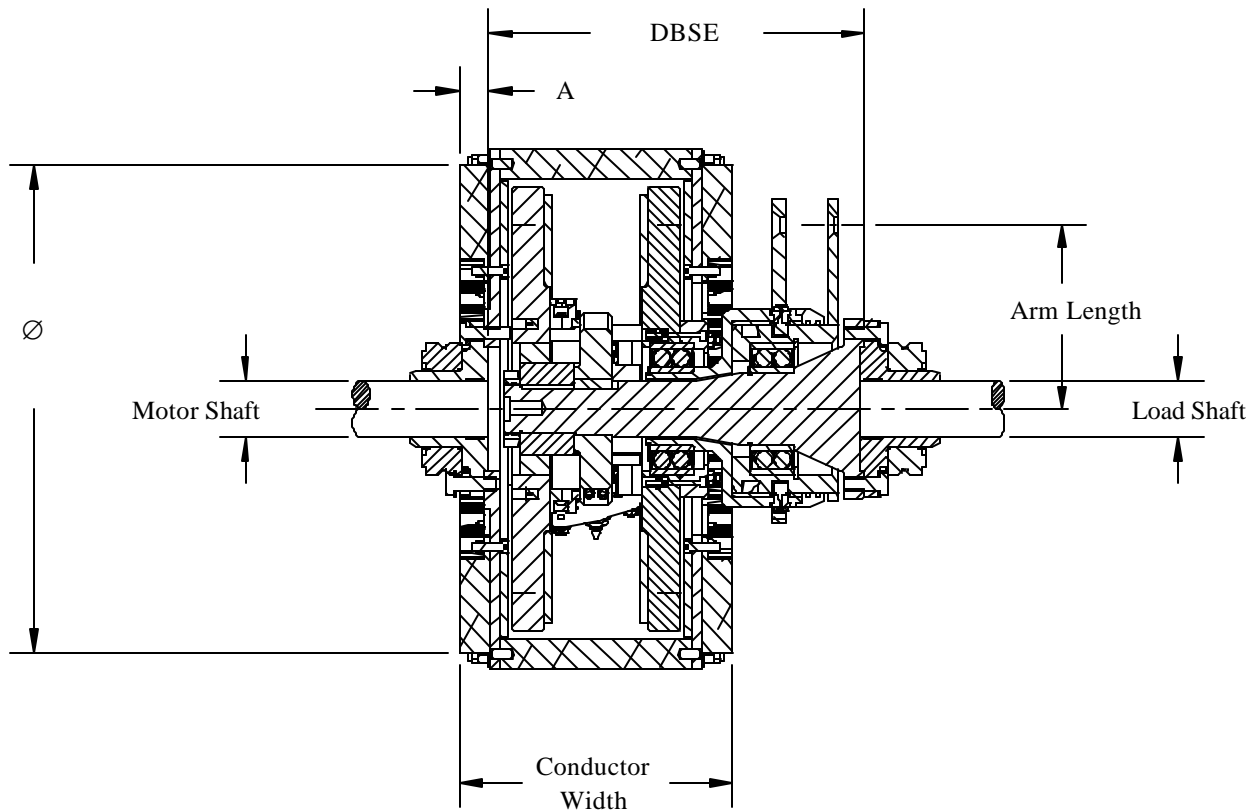


## Adjustable Speed Drive Standard Dimensions and Design Characteristics



Size	DBSE (in)	Conductor Rotor Assembly						Magnet Rotor Assembly				Torque (ft* lb)		Actuation	
		Æ (in)	Width (in)	A (in)	Wt (lb)	Dist. to CG (in)	WR <sup>2</sup> (lbf* in <sup>2</sup> )	Wt (lb)	Dist. to CG* (in)	WR <sup>2</sup> (lbf* in <sup>2</sup> )	Peak Linear	Per Slip rpm	Arm Length (in)	Linear Force (lbf)	
6.5	8.60	8.10	6.11	.06	10	2.50	85	25	4.34	100	30	.108	4.0	20	
8.5	8.60	10.10	6.11	.06	16	2.50	200	35	4.70	250	60	.291	4.0	20	
10.5	12.10	13.50	8.98	1.0	53	2.80	1240	85	5.45	500	90	0.52	6.0	60	
12.5	12.10	15.75	8.98	1.0	70	3.00	2150	95	5.90	900	210	1.65	6.0	80	
14.5	12.10	17.75	8.98	1.0	85	3.10	3500	120	6.54	2000	315	3.09	6.0	100	
16.5	12.96	20.00	9.54	1.0	130	3.00	6800	170	7.15	4000	450	5.18	6.0	130	
18.5	14.43	22.00	9.11	1.0	155	2.63	9700	197	7.60	4900	600	8.04	8.0	150	
20.5	14.43	24.00	9.11	1.0	173	2.71	13400	227	8.17	7620	780	11.80	8.0	180	
22.5	16.72	24.63	10.25	1.0	220	2.95	17500	341	6.30	12175	1020	22.00	10.0	350	
24.5	18.50	28.63	10.56	1.0	275	3.03	30900	503	7.11	23233	1240	40.46	11.0	500	
26.5	18.50	28.63	10.56	1.0	275	3.03	30900	515	7.03	24576	1500	47.82	11.0	500	
26.5 w/28.5 Cond.	18.50	30.63	10.56	1.0	335	3.17	42900	515	7.03	24576	1500	47.82	11.0	500	

Notes: 1) All conductor data are for copper conductors. For aluminum conductors contact MagnaDrive™ Corporation.  
 2) Contact MagnaDrive™ Corporation Applications Engineering for system evaluation and sizing confirmation.